

CA39B Mini Side-view Camera (1080p)



Product Picture



Product Feature

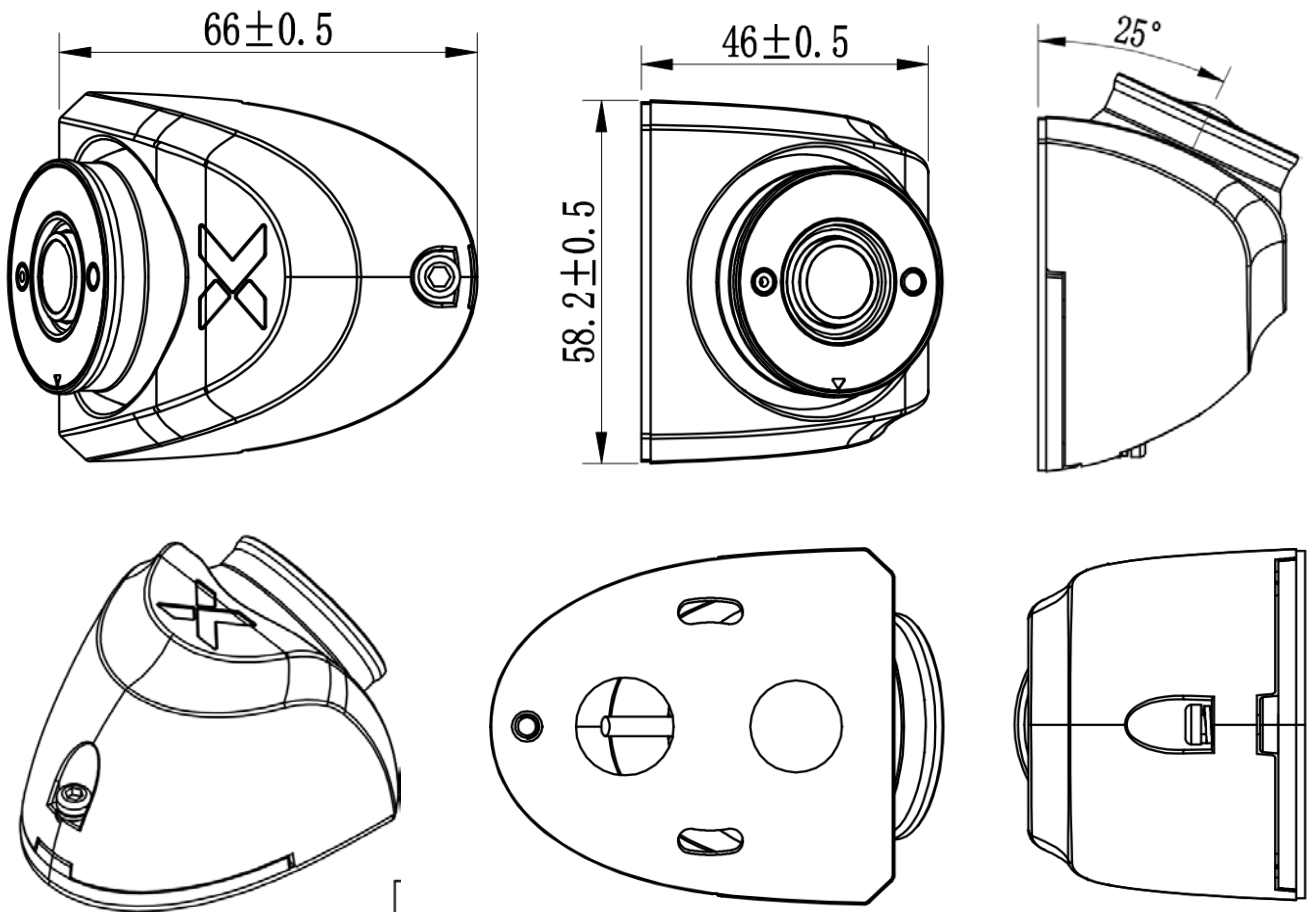
- 1/3 " 1.3M pixel CMOS
- Resolution: 1080p
- Minimum illumination: 0Lux (IR on), 0.05Lux (IR off)
- Auto electronic shutter, auto exposure and auto white balance
- 2.2mm , 2.8mm and 3.6mm lens are supported
- IR range: 10-15m
- IP rating: IP69K
- Compact design and simple installation to ensure the vehicle damping performance

Parameters

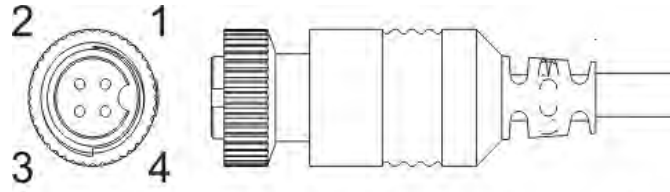
Product model	SK-CA39B-1080
Image sensor	1/3 " 1.3M pixel CMOS
Resolution	1080P
Standard	PAL/ NTSC
Minimum illumination	0Lux (IR on), 0.05Lux (IR off)
Synchronization system	Internal synchronization
Scanning system	Progressive scan
S/N	≥50dB
Electronic shutter	1/25s-1/25,000s (auto)
White balance	Auto tracking of white balance
Day/night mode	ICR IR filter
Auto gain	Supported
3D noise reduction	Supported
Backlight compensation	Supported

Digital WDR	Supported
Lens	2.2mm M12@ F2.0, FOV: HFOV: 130° VFOV:73° DFOV:150°
	2.8mm M12@ F2.0, FOV: HFOV: 91° VFOV: 50° DFOV: 107°
	3.6mm M12@ F2.2, FOV: HFOV: 73° VFOV: 41° DFOV: 85°
IR range	10-15m (2 dot-matrix displays)
Video output	1.0Vp-p Composite video output, 75Ω, 4PIN aviation cable
Power supply	DC12V ±10%
Power consumption (max)	240mA/DC12V ±5%
Working temperature	-40°C ~ 70°C
Operating humidity	<95% (no condensation)
Product dimensions	66mm*58mm*46mm (L*W*H)
Net weight of product	About 180g

Product Dimensions



Interface for Video Output Cable



Aviation RS765-4(Female)

1---12V DC(+) 3---AUDIO

2---GND 4---VIDEO