

Vehicle Mini Dome Camera

Model: SK-V30-2MR2

Features

- 1/3 SONY CMOS. AHD 2 Megapixel, 1080P.
- IR illumination.
- 3.6mm fixed Lens (2.8mm for option)
- Minimum Illumination: 0.1Lux at F1.2 ,
- Mechanical Design
- With Audio(Optional)



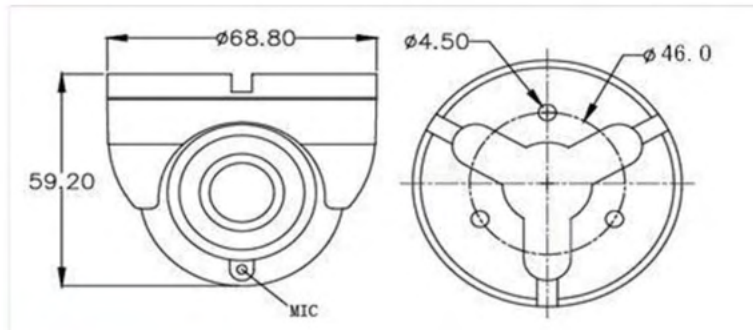
Specification

Video	
Image Sensor	1/3" CMOS sensor
Signal Format	PAL / NTSC
Total Pixel	1920(H)x1080(V)
Horizontal Resolution	1080P (2 Megapixels)
Minimum Illumination	0Lux, IR ON
Infrared Spectrum	940nm
Infrared LED	6 LEDs
Infrared LED Range	5m
S/N Ratio	Over 44dB(AGC off)
Video Output	1 Vp-p,75Ω Composite ,AHD video, 4PIN AVIATION connector
Mirror	Optional
Audio input	Optional
Gamma Ratio	0.45
Sync. System	Internal Sync.
Day & Night	Auto
White Balance	Auto
Backlight Compensation	Auto
Electronic shutter	Support
Lens	
Lens type	Fixed Iris 3.6mm lens (2.8mm optional)
Mount type	M12

IR	
Number of LED	6 pcs IR LED, 940nm
View distance	Up to 5 meters
General	
Power supply	DC12V ± 10%
Power consumption	190mA
Protection	IP66
Operation Temp.	-25°C ~ 55°C
Humidity	≤ 85%RH
Dimension (W*H*L)	Φ68.8*59.2mm
Net weight	130g

Dimension

Unit: mm



Model for selection

Model: SK-V30-2MR2

Vehicle indoor Mini dome camera. 1/3" CMOS sensor, AHD 1080P. 3.6 fixed lens (2.8mm optional). 6 pcs IR LED, IR distance 5m. Metallic vandal-proof shell. Flexible installation for pan/tilt. Dimensions: Φ69*59mm. IP66. waterproof. With 1 channel audio. DC12V. GX12 aviation female connector.