

# SK-CA39B-2MR2

Small Footprint Universal Camera with Audio AHD



Picture

Features

SKEYEVIEW



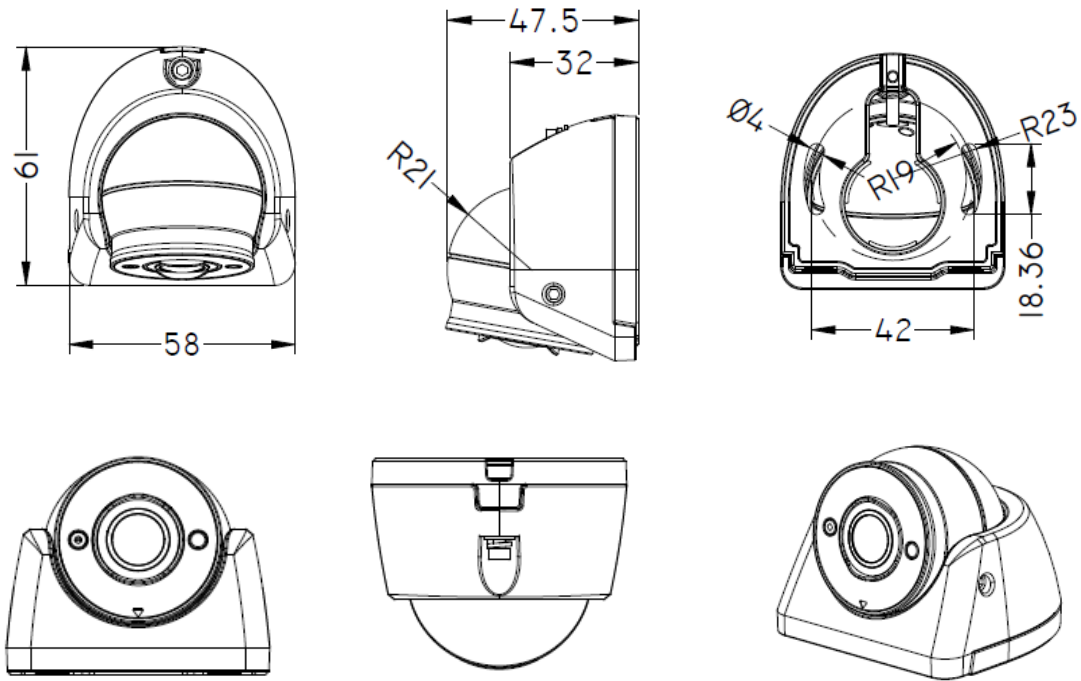
- 1/2.8" 2.13M pixel CMOS
- Resolution: 1920H\*1080V
- Minimum illumination: 0lux (IR on); 0.05lux (IR off)
- Auto electronic shutter, auto exposure and auto white balance
- Support lens of 2.2mm, 2.8mm, and 3.6mm
- IR range: 10-15m
- Compact design and easy installation to ensure good damping performance of vehicles
- Built-in on-board audio pick-up with effective range up to 5m

## Specifications

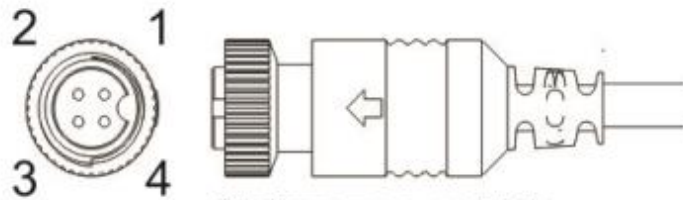
Model	SK-CA39B-2MR2
Image sensor	1/2.8" 2.13M pixel CMOS
Resolution	1920H*1080V
Video signal standards	NTSC/PAL
Minimum illumination	0lux (IR on); 0.05lux (IR off)
Synchronization system	Internal synchronization
Scanning system	Progressive scan
S/N	≥ 50dB
Electronic shutter	1/25s to 1/25,000s (auto)
Day-to-night	ICR
White balance	Auto tracking of white balance
Auto gain	Supported
3D noise reduction	Supported
Backlight compensation	Supported
Digital WDR	Supported
Lens	2.2mm M12@ F2.0, FOV HFOV: 152° VFOV: 83° DFOV:180°
	2.8mm M12@ F2.0, FOV HFOV: 103° VFOV: 56° DFOV: 121°
	3.6mm M12@ F2.2, FOV HFOV: 88° VFOV: 49° DFOV: 103°
IR detection range	10-15m (2 LED arrays)
Video output	1.0Vp-p composite video output, 75 ohm, 4Pin aviation cable
Audio input	Built-in on-board audio pick-up with effective range up to 5m
Power supply	DC12V± 10%
Power consumption (max)	200mA/DC12V±5%
Operating temperature	-40°C ~ 70°C
Operating humidity	<90% (non-condensing)

<b>Installation mode</b>	Hanging-mounted
<b>Adjustable angle</b>	15° to 107° (horizontally up and down) adjustable
<b>Dimensions</b>	58mm*61mm*47.5mm (L*W*H)
<b>Net weight</b>	About 125g

**Dimensions**



**Video output cable interface**



航空RS765-4 (母头)

- 1---12VDC(+)
- 2---12GND(-)
- 3---AUDIO
- 4---AHD VIDEO