

Vehicle AHD Side View Camera SK-V362MR2



V36 side view camera with metal case, IP67 water proof, with accessory for mounting to vehicle side-view mirror bracket.
Mainly deployed in outdoor application.

Features

- Side view camera, easy for Pan/tilt adjustment
- 1/2.9" CMOS
- High Resolution: 2MP (1080P)
- Minimum Illumination: 0.1Lux at F1.2 , 0 Lux IR ON,
- 3.6mm fixed Lens (2.8mm lens for option)
- HLC (Highlight Compensation)

Specification

Model	SK-V362MR2
Camera	
Sensor	1/2.9" CMOS sensor
Signal Format	PAL / NTSC
Picture Elements	1920(H)x1080(V)
Horizontal Resolution	2000TVL (1080P/2 Megapixels)
Lens	Megapixel 3.6mm Fixed Iris Lens(2.8mm lens for option)
Viewing angle	3.6mm: 90 degree, 2.8mm: 110degree
Lens Mount	M12xP0.5mm Thread
Exterior Focus Adjustment	N/A
Synchronization	Internal sync.
S/N Ratio	>44dB(AGC off)
Auto Gain Control	Auto
White Balance	Auto
Electronic Shutter	AUTO/ 1/50 (1/60) -1/100,000sec
Back Light Compensation	Auto
Mirror	No mirror image by default
Gamma Ratio	0.45
Day & Night	Auto
Auto-iris Lens Control	N/A

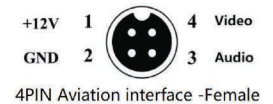
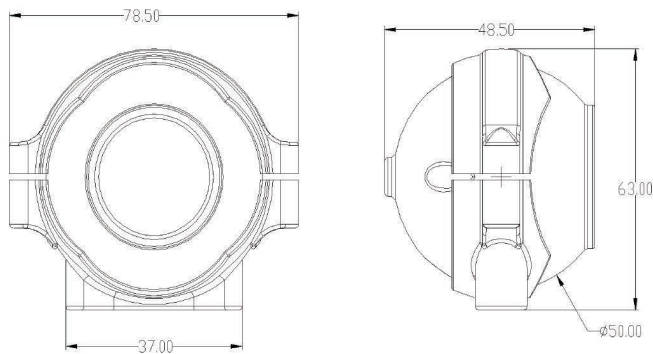
IR

Infrared LED	12 LEDs
Infrared Spectrum	850nm
Infrared LED Range	8m
Sensitivity	0 Lux(Infrared LED On,at F1.2)

Hardware and others

Video Output	AHD video, 4PIN Aviation female connector
Cable length	30cm by default, can be extended by extension cable
Audio	N/A
Pan Adjusting	Available
Tilt Adjusting	Available
Power Supply	12V DC $\pm 10\%$
Power Consumption	150mA $\pm 10\%$
Dimensions(L x W x H)	78.5 x 63 x 48.5 mm
Net Weight	123g
Protect Level	IP67/IP68
Operating Temperature	-20°C to +70°C
Storage Temperature	-40°C to +80°C
Humidity	$\leq 85\%RH$

Dimension (unit: mm)



Appearance

